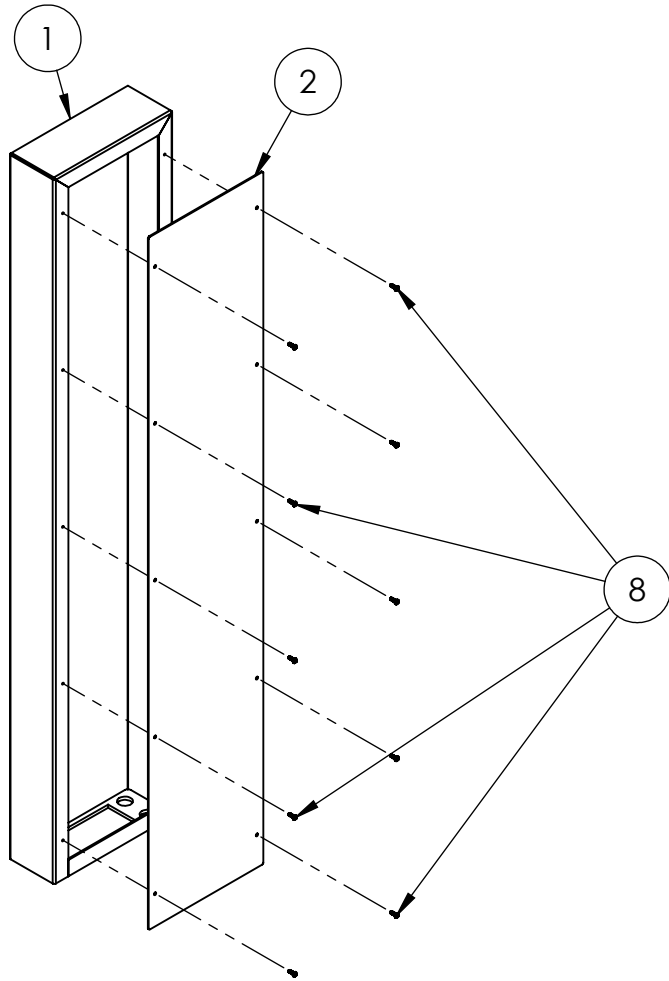


UNLESS OTHERWISE SPECIFIED:  
 DIMENSIONS ARE IN INCHES  
 TOLERANCES:  
 FRACTIONAL  $\pm 1/32$   
 ANGULAR:  $\pm 2^\circ$   
 TWO PLACE DECIMAL  $\pm 0.010$   
 THREE PLACE DECIMAL  $\pm 0.005$   
 INTERPRET GEOMETRIC  
 TOLERANCING PER:  
 ASME Y14.5 -2009

	NAME	DATE
DRAWN		
CHECKED		

TITLE: <b>INSTALLATION</b>			SIZE <b>A</b>	PART NO. MX-SS-7S	REV <b>0</b>
WEIGHT:			NO SCALE		SHEET 1 OF 8

ITEM NO.	PART NUMBER	DESCRIPTION	QTY.
1	MX-SS-7S MAIN BODY	304SS TOWER WELDMENT	1
2	MX-SS-7S ACCESS DOOR	14 GA 304 SS SHEET	1
8	91772A194	8-32 SS BUTTON HEAD SCREW	10



- NOTES:
- BRUSHED #4 FINISH.
  - MOUNTS A BUTTERFLY MX 21 INCH SURFACE MOUNT UNIT.

UNLESS OTHERWISE SPECIFIED:

DIMENSIONS ARE IN INCHES  
TOLERANCES:  
FRACTIONAL  $\pm 1/32$   
ANGULAR:  $\pm 2^\circ$   
TWO PLACE DECIMAL  $\pm 0.010$   
THREE PLACE DECIMAL  $\pm 0.005$

INTERPRET GEOMETRIC  
TOLERANCING PER:  
ASME Y14.5 -2009

	NAME	DATE
DRAWN		
CHECKED		

TITLE:  
**MX-SS-7S**

WEIGHT:	NO SCALE	SHEET 2 OF 8
SIZE	PART NO.	REV
<b>A</b>	ASSEMBLY	<b>0</b>